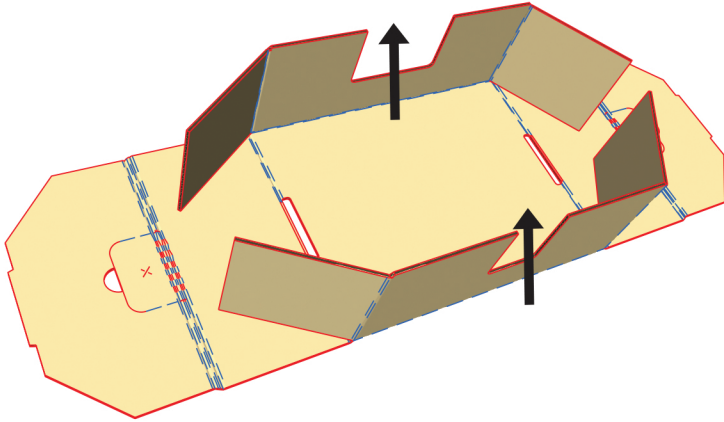
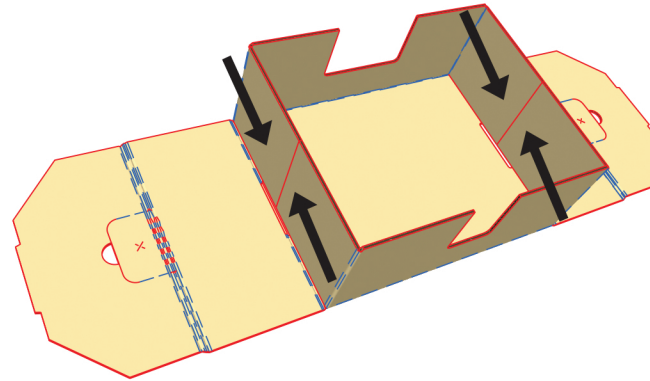


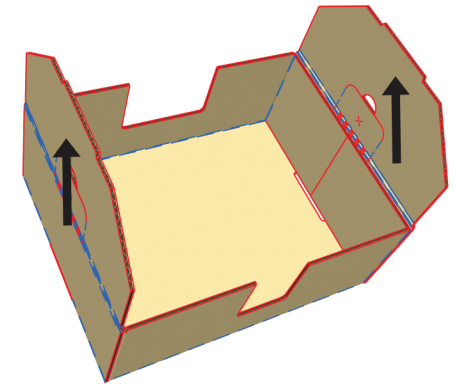
STEP 1:
FOLD SIDES UP



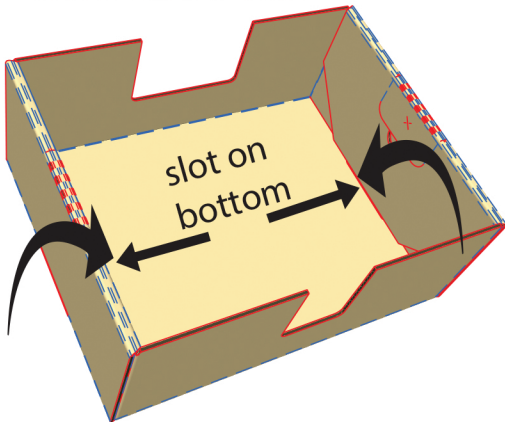
STEP 2:
FOLD CORNERS 90 DEGREES
TO INSIDE



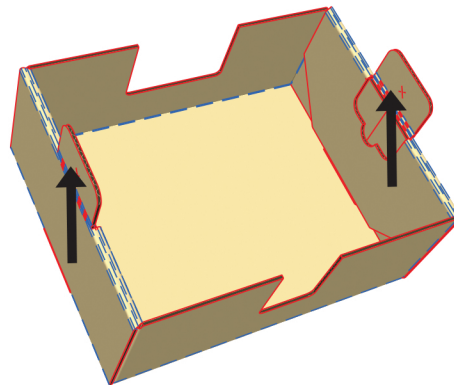
STEP 3:
FOLD SHORT SIDES UP



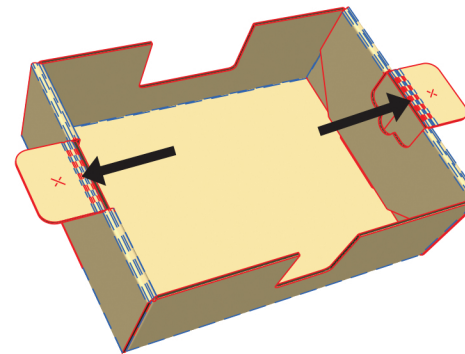
STEP 4:
FOLD OVER AND LOCK TAB INTO
SLOTS ON BOTTOM



STEP 5:
TO TEE INTO GROUND-
POP OPEN TABS ON BOTH
SIDES AT FINGER HOLES



STEP 6:
BACKFOLD TABS
TO 90 DEGREES



STEP 7:
TURN OVER AND
PLACE TEE INTO "X" CUT
OUT ON BOTH SIDES

